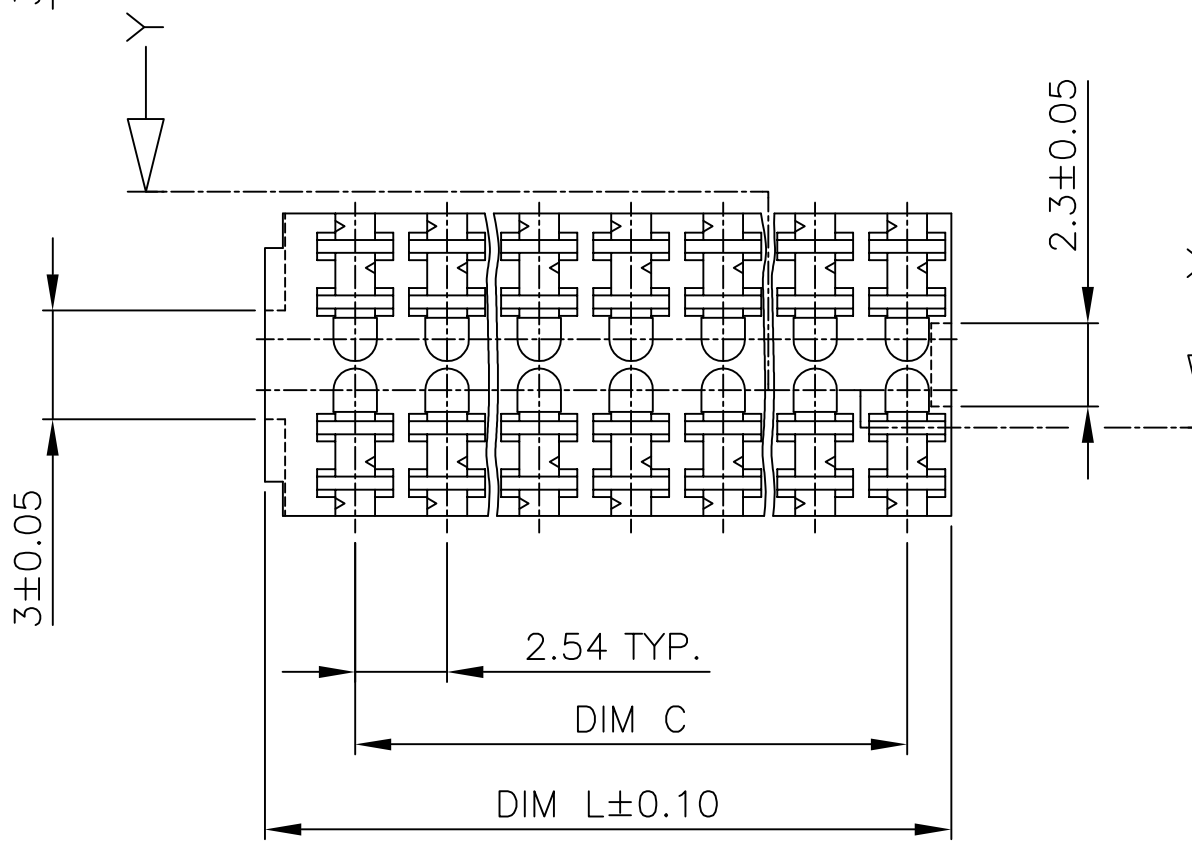
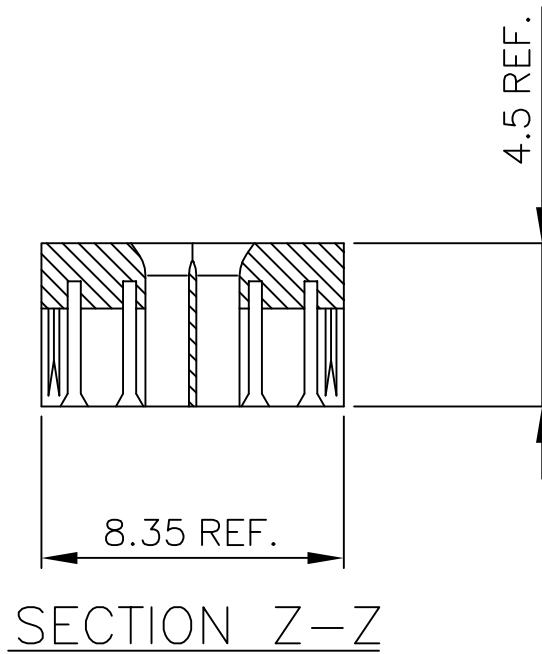
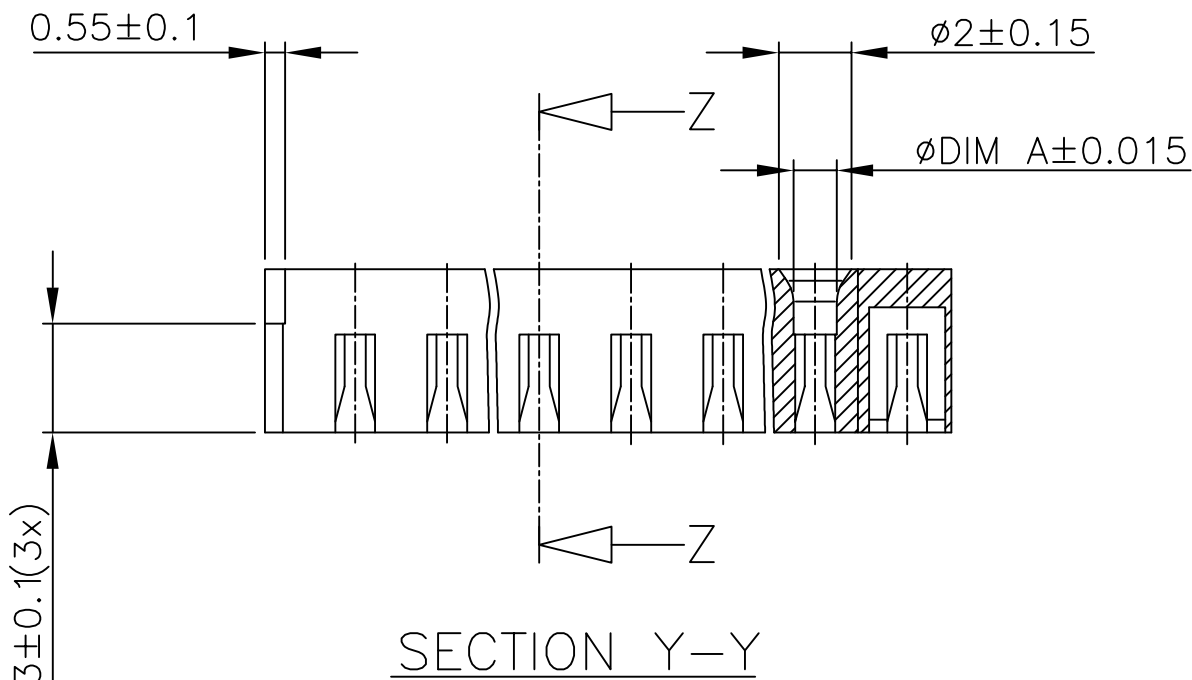


Product number	DIM.A	DIM.C	DIM.L
65213-001	1.20	15.24	18.94
65213-002	1.20	5.08	8.78

MATERIAL: THERMO PLASTIC POLYESTER, 30% GLASS FILLED.  
 COLOUR : GREY.  
 FLAME RETARDANT PER UL-94-VO.



NOTES:-

1. THIS PRODUCT MEETS EUROPEAN UNION DIRECTIVES AND OTHER COUNTRY REGULATIONS AS DESCRIBED IN GS-22-008.
2. LEADFREE OR RoHS DIRECTIVE LABELLING TO BE PROVIDED AS PER GS-14-920.
3. " LF " SUFFIX TO PRODUCT NUMBER FOR RoHS COMPATIBLE/ LEADFREE VERSION.
4. PARTS WITH AND WITHOUT "LF " SUFFIX ARE FORM-FIT AND FUNCTIONALLY IDENTICAL. " LF " SUFFIX PROVIDED FOR PART NUMBER STANDARDISATION OF PART THAT MEETS RoHS REQUIREMENTS.

mat'l. code		surface		tolerance		projection		product family		
SEE NOTE 1		ISO 1302		ISO 406		ISO 1101		CABLE CONN. PIERCE BLOCK.20x.10		
ltr	ecn no	dr	date	tolerances unless otherwise specified		mm		title		
D	H20714	JvZ	1992-11-11	angles		mm		CABLE CONN. PIERCE BLOCK.20x.10		
E	I05-0123	MINI	2005-07-27	linear		mm		sheet 1 of 1 size		
F	I05-0248	MINI	2006-11-22			scale 5:1		A3		
G	I06-0068	MINI	2006-06-01	dr	J.v.Zelst	1992-11-11	FCJ		dwg no	
				engr					65213	
				chr	Rakhee George	2006-06-01			sheet 1 of 1 size	
				app	Rakhee George	2006-06-01			A3	
sheet index	revision sheet	G	1							type
										CUSTOMER Drawing



Copyright FCJ